

Technology easily, cost-effectively accesses plant information

AEC Design Group

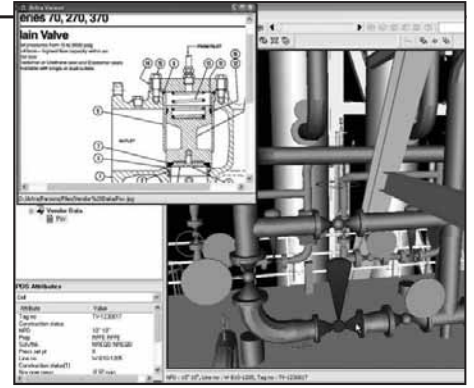
Owner-operators face the challenge of managing information from multiple sources through many project phases over decades of time.

Safety, inspection, corrosion monitoring, fabrication, asset management and other groups all have different needs to access, use and manage plant information

(which also comes in different categories). The technology to easily and cost-effectively integrate all this plant information has been elusive.

A major limitation has been a common denominator — a universal standard — from which the information can be accessed.

From a logical perspective a common denominator could be the 3-D model of the plant. An asset management system would be easy to use if anyone could point at anything in the plant and then see all the information related to that object.



Many owner-operators have not been able to use the 3-D model as a central point to access information for a number of reasons. Previous solutions had three limitations: they were not cost effective, they were not easy to implement and they were not easy to use.

The most significant development is the ability to maintain a CAD independent 3-D model of the plant while also being able to make ongoing modifications using any CAD system. The owner-operator can then manage all plant information without having to bear the financial and administrative burden associated with the CAD systems. One no longer has to make the decision to either invest in the engineering, procurement and construction (EPC) firm's CAD system, rely on the EPC for all future use of the 3-D model, or not use the 3-D model at all.

A CAD independent 3-D model gives the owner-operator the opportunity to manage all plant information easily and cost effectively. Advances in laser scanning and photogrammetry are also making it more cost effective to create and/or modify 3-D models to as-built status.

The CAD independent 3-D model can then be used as the central point to link and access any documentation to items in the 3-D model.

Any linked data can also be searched quickly and easily to provide critical information that would not be readily available in other formats.

The possible uses and applications of 3-D asset management are far reaching and vary from plant to plant and department to department. Some of the specific applications include reducing scaffolding costs, reducing documentation storage space on offshore platforms, eliminating the cost of expensive CAD systems, streamlined communication of design/review information, more efficient processing and documenting of work orders and training for disaster response.

In summary, CAD independent 3-D asset management is cost-effective, easy to implement and easy to use. It is a tool available to owner-operators to decrease costs and increase efficiency to yield higher returns on investment. This type of technology can be implemented quickly in small phases focused on immediate needs with minimal costs.

All of this can be accomplished without reliance on or the cost of existing CAD systems.

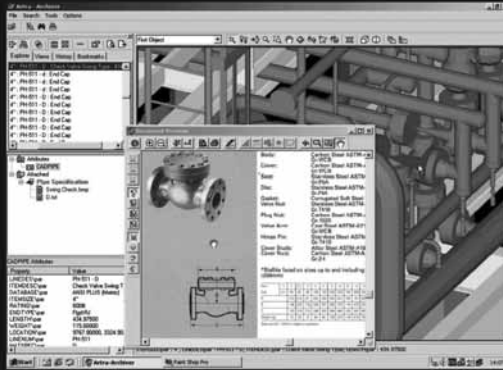
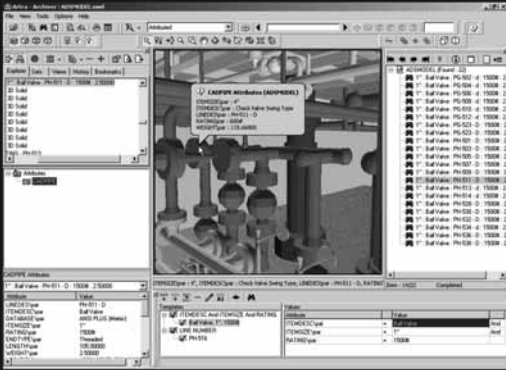
For more information about CAD independent 3-D asset management and the ArtrA products please call (888) 239-9004, Ext. 243 or e-mail sales@cadpipe.com.

AEC Design Group

Process Piping Solutions Since 1986

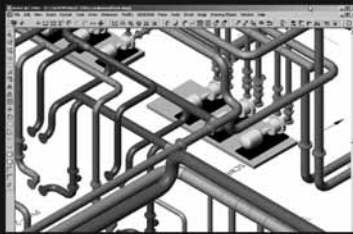
ArtrA

Project Coordination & Review 3D Asset Management



Walk around the 3D model of your plant without having to use any CAD software. Use this model to access, view and sort all your documentation or live data quickly and easily.

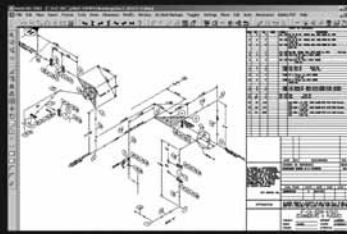
- Corrosion Monitoring
- Health & Safety
- Inspection & Maintenance
- Fabrication
- Data Logging & Analysis
- Scaffolding Management
- Commissioning & Operations
- Many Other Applications



CADPIPE 3D DESIGN

CADPIPE

AutoCAD Based
Process Piping
Design Software



CADPIPE ISO

Other CADPIPE Products include P&ID, HVAC, Electrical, and Hanger.

www.cadpipe.com - 888-239-9004 ext 243 - sales@cadpipe.com